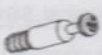

















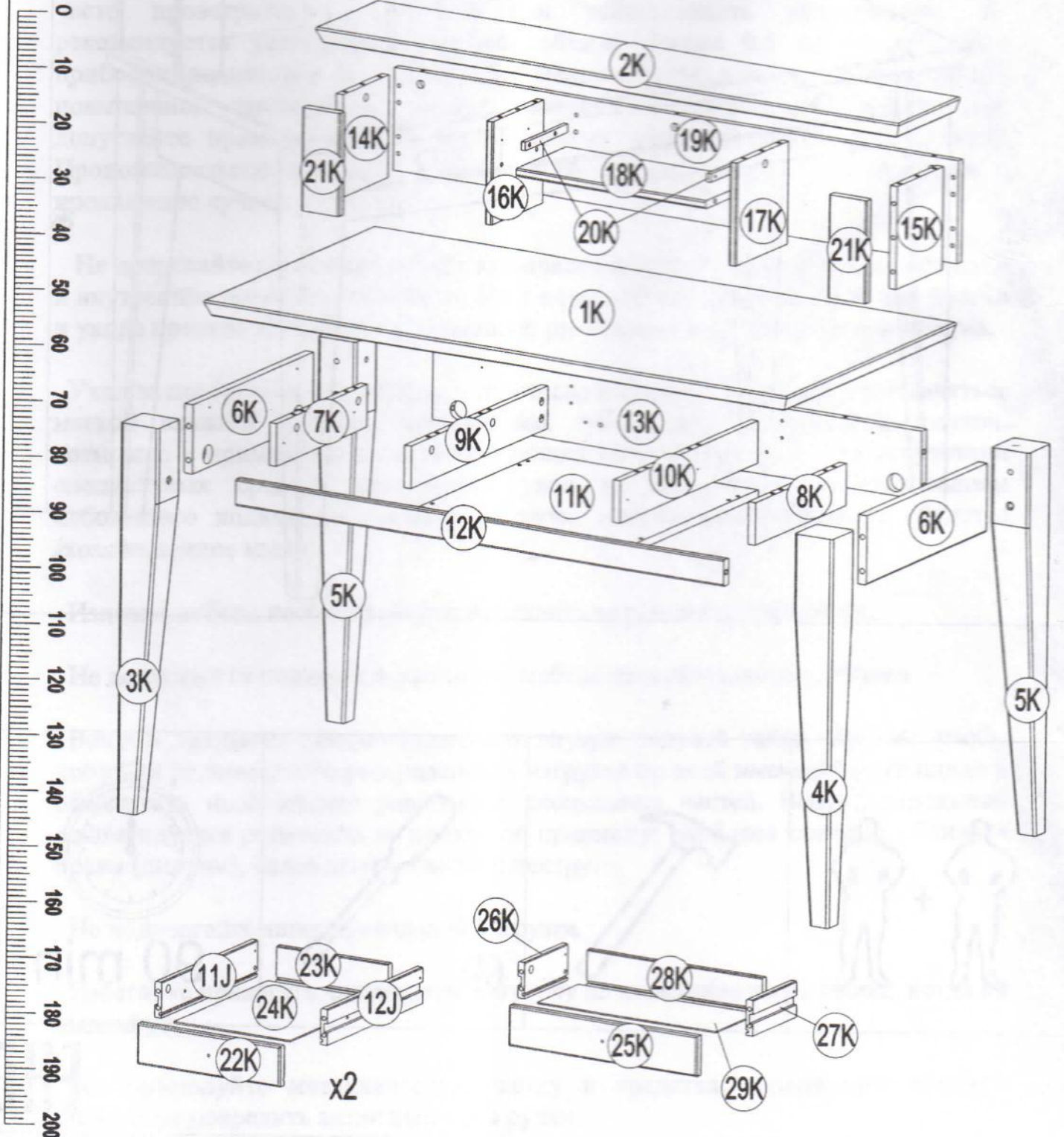
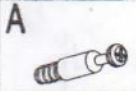


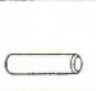
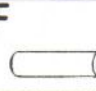



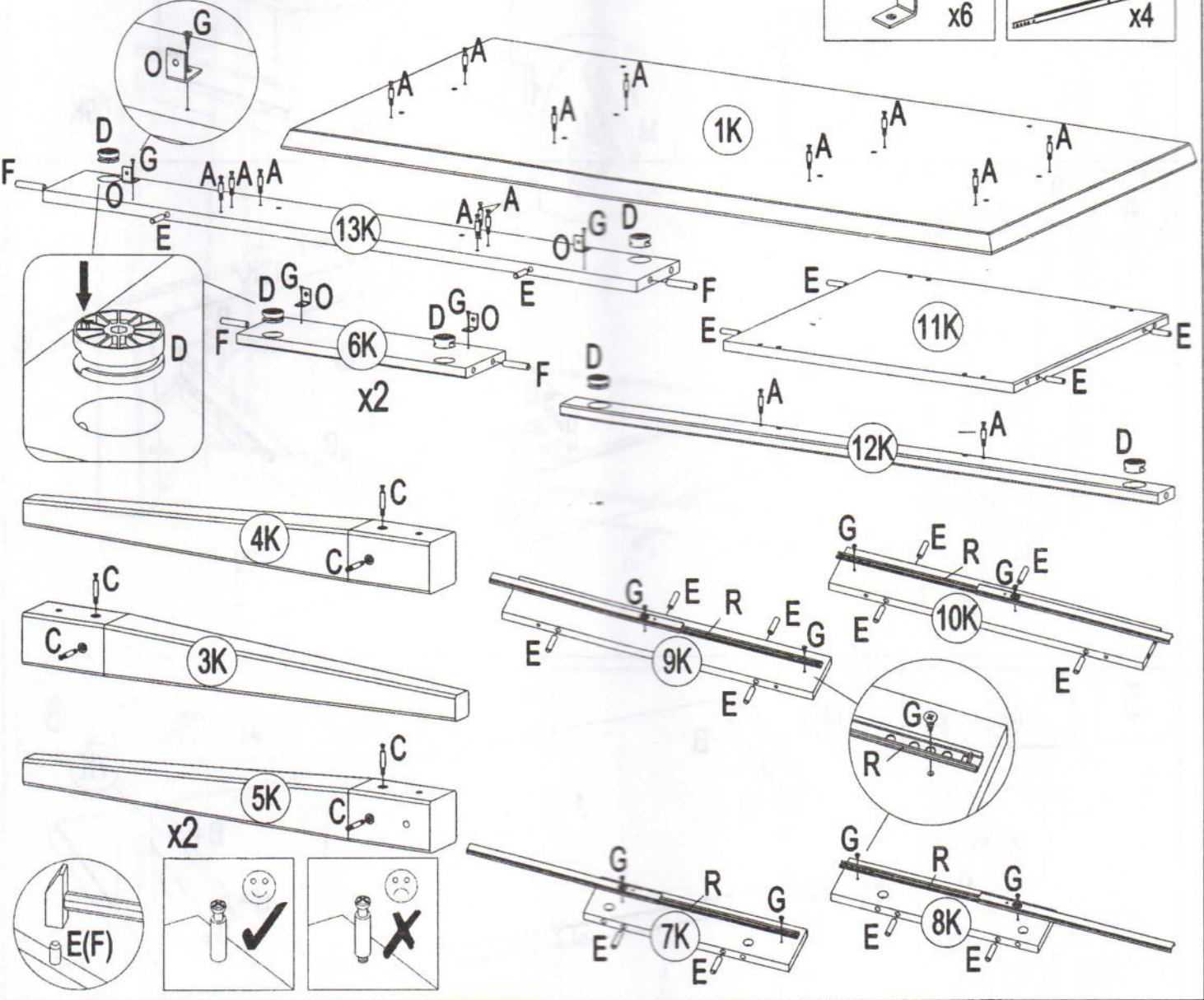





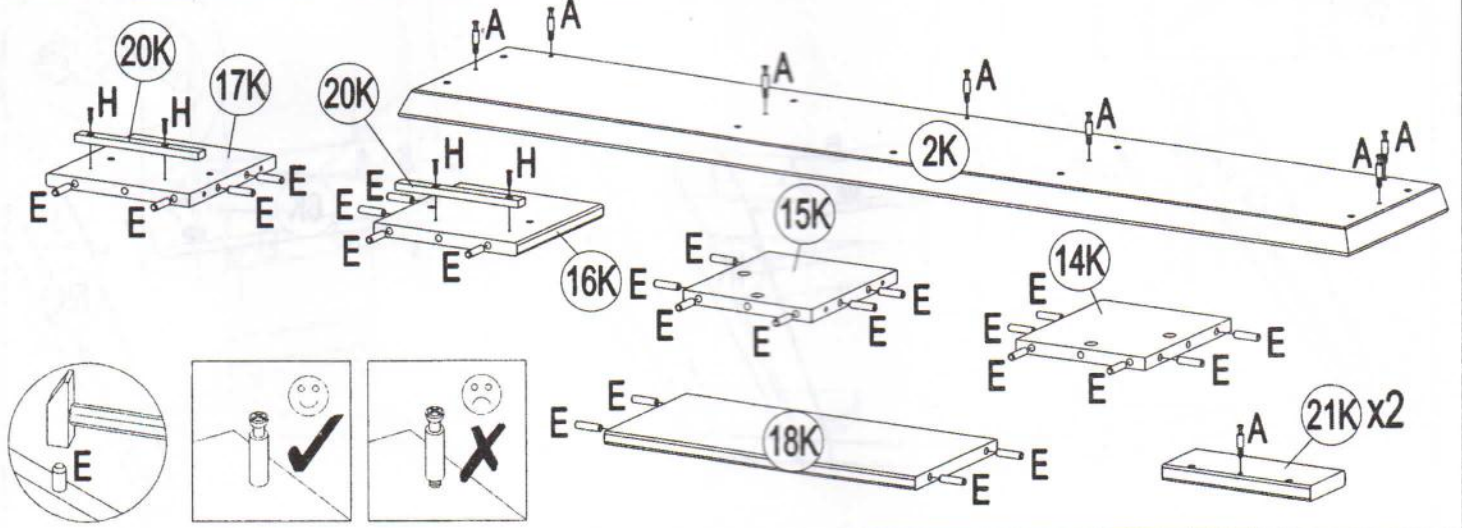
A  x31	B  x31	C  x8	D  x8	E 8x32  x55	F  x6
G 3.5x15  x28	H 3.5x20  x4	I 3.5x35  x6	J  x12	K M4x10  x4	L SW 4  x1
M SW 6  x1	N  x2	O  x6	P  x3	Q M4x22  x3	R  x4



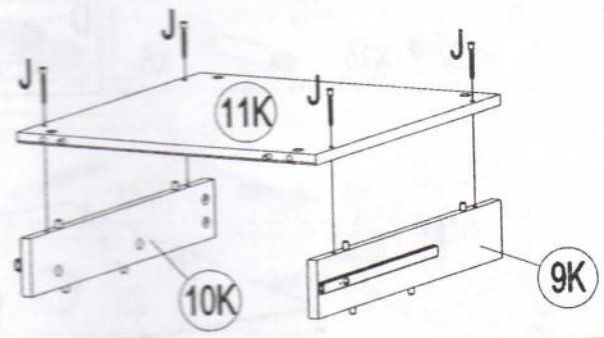
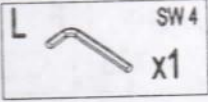
- | | | | | | | |
|---|---|--|--|--|--|--|
| 1 | A  x16 | C  x8 | D  x8 | E  8x32 x18 | F  x6 | G  3.5x15 x14 |
| | | | | | O  x6 | R  x4 |



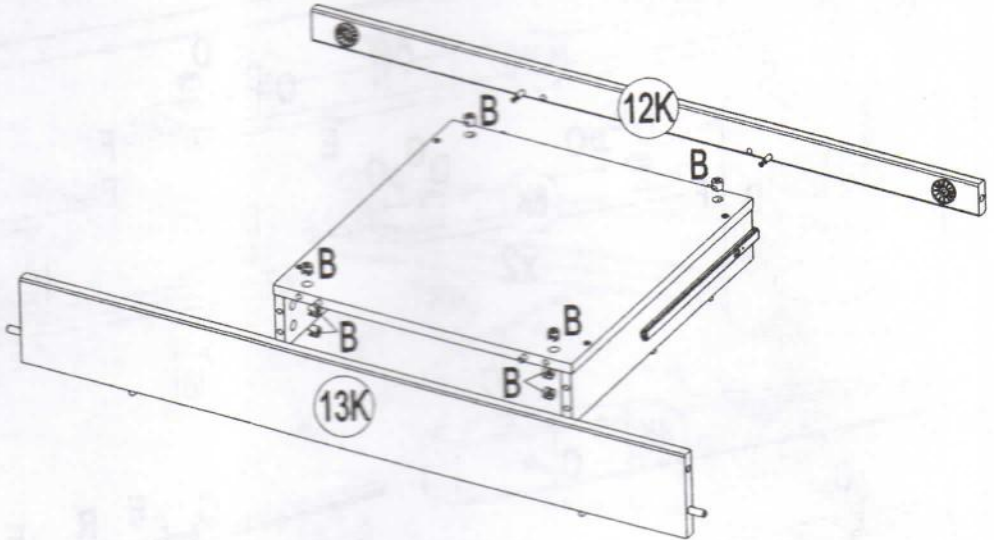
- | | | | |
|---|--|--|---|
| 2 | A  x9 | E  8x32 x24 | H  3.5x20 x4 |
|---|--|--|---|



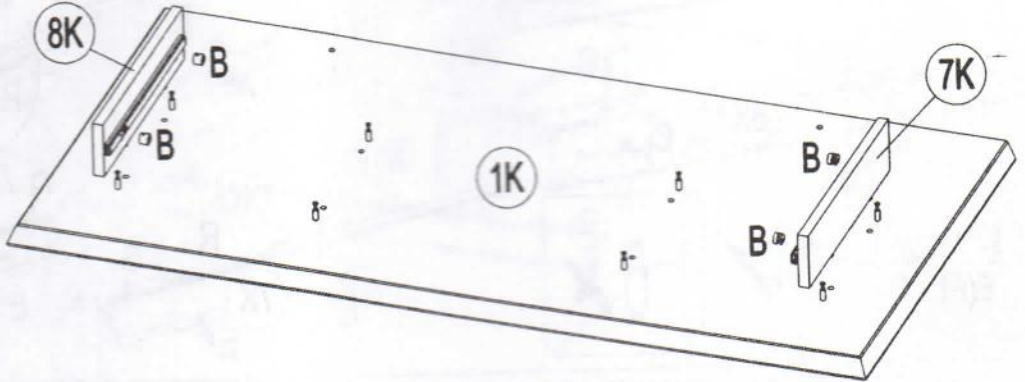
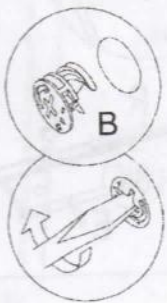
3



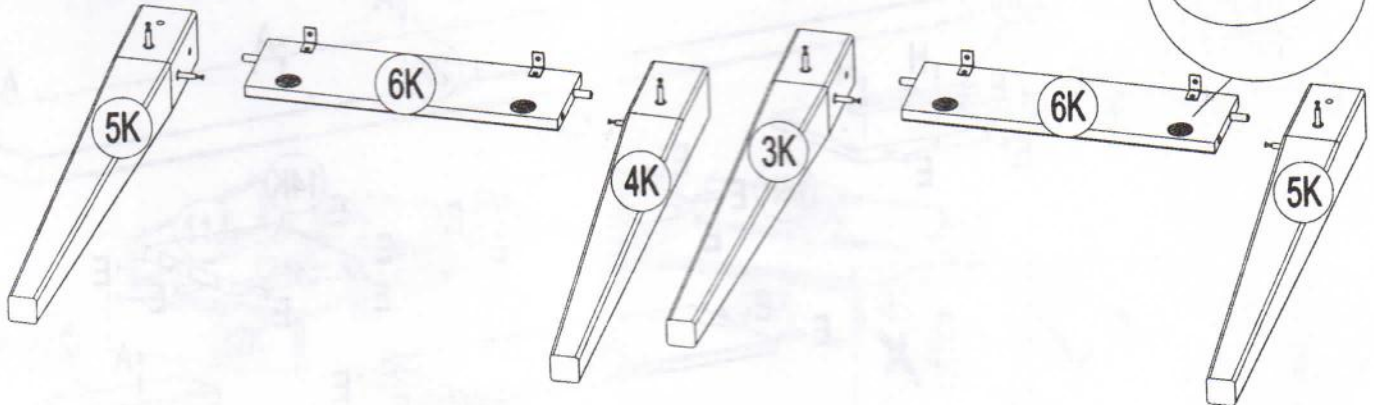
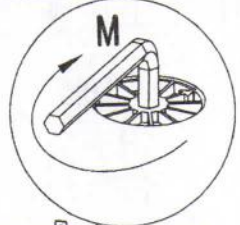
4



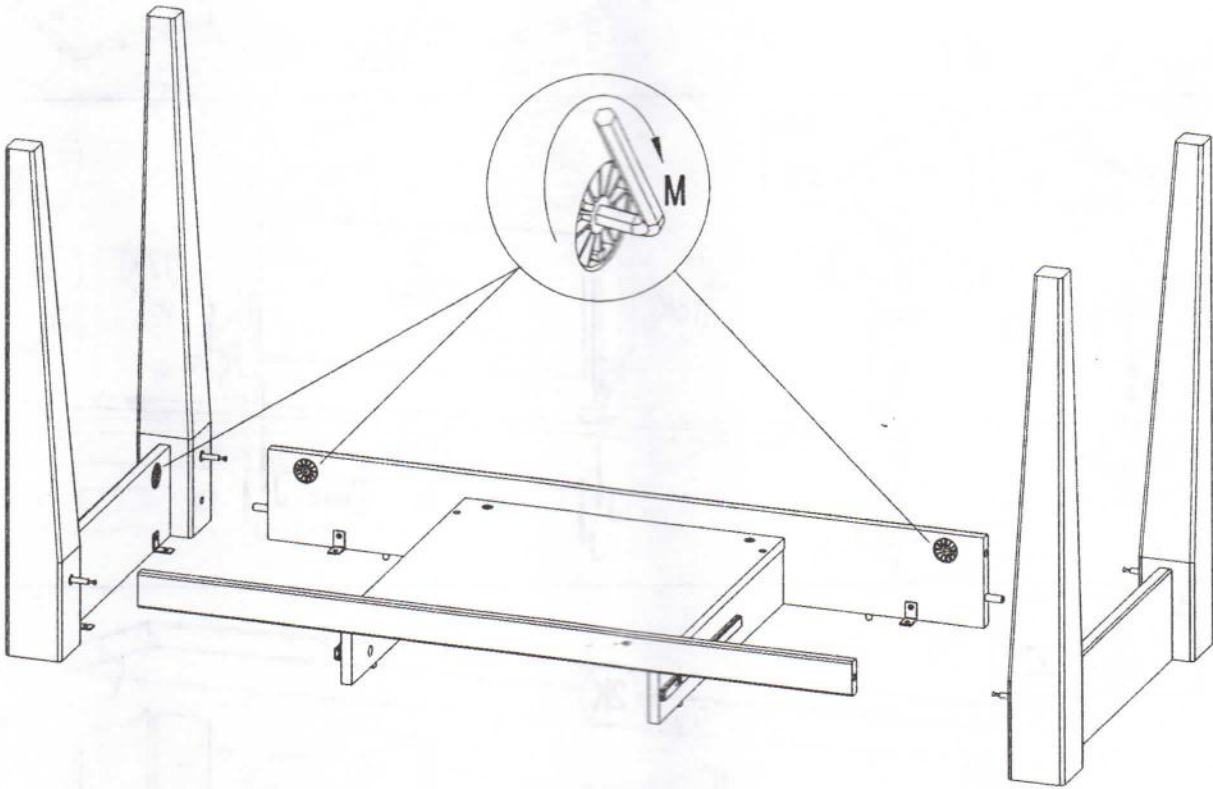
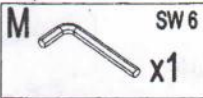
5



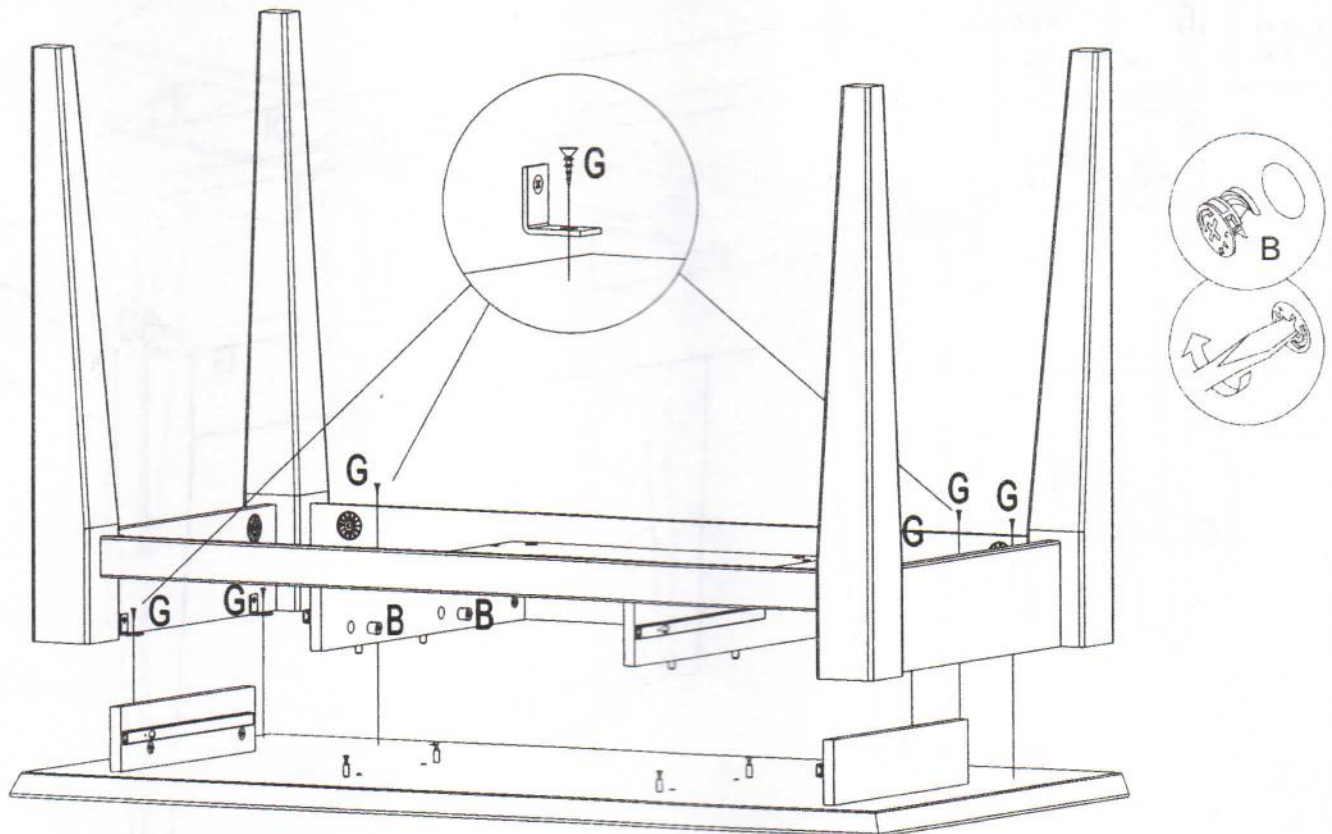
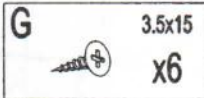
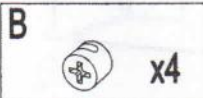
6

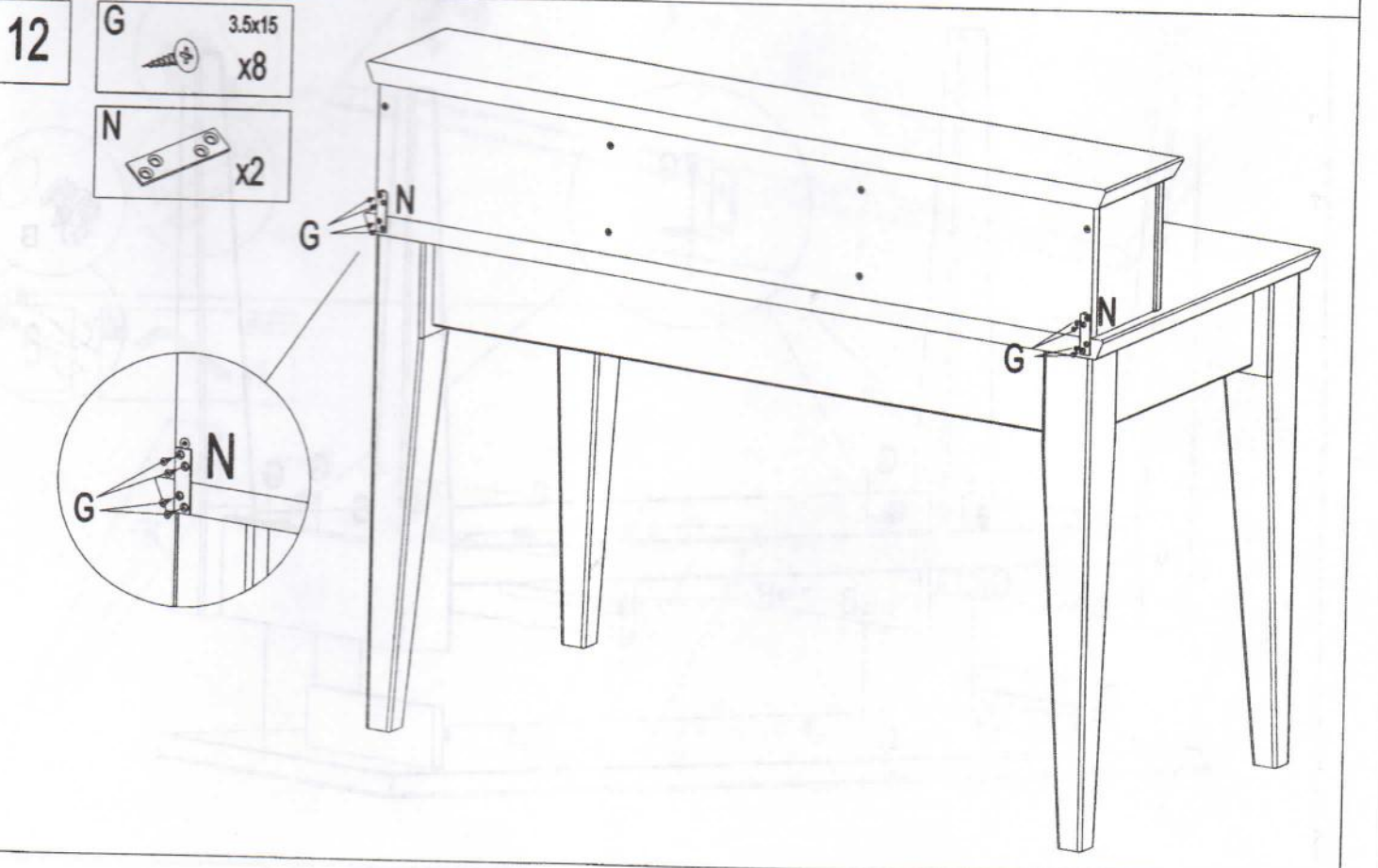
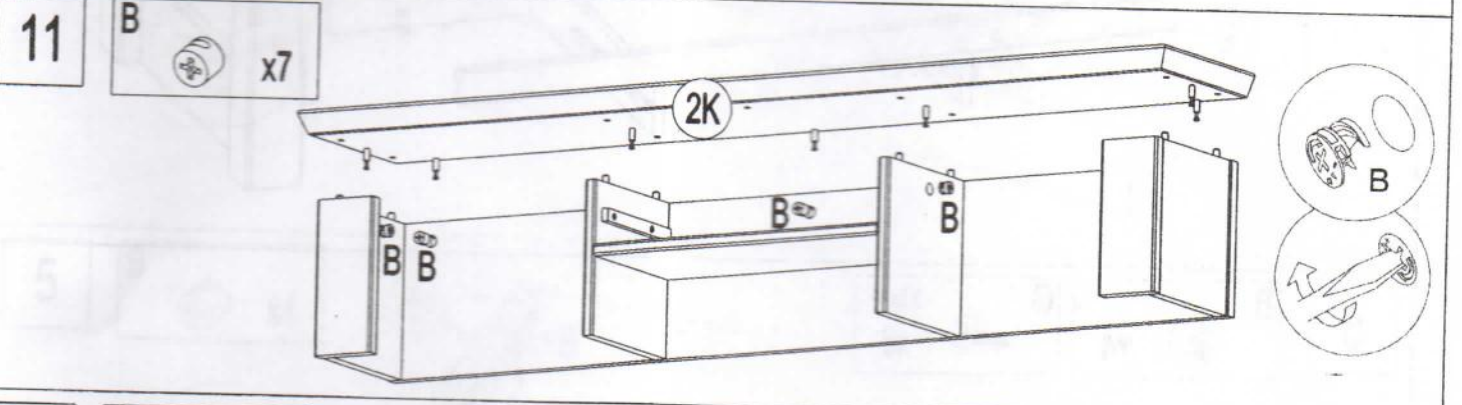
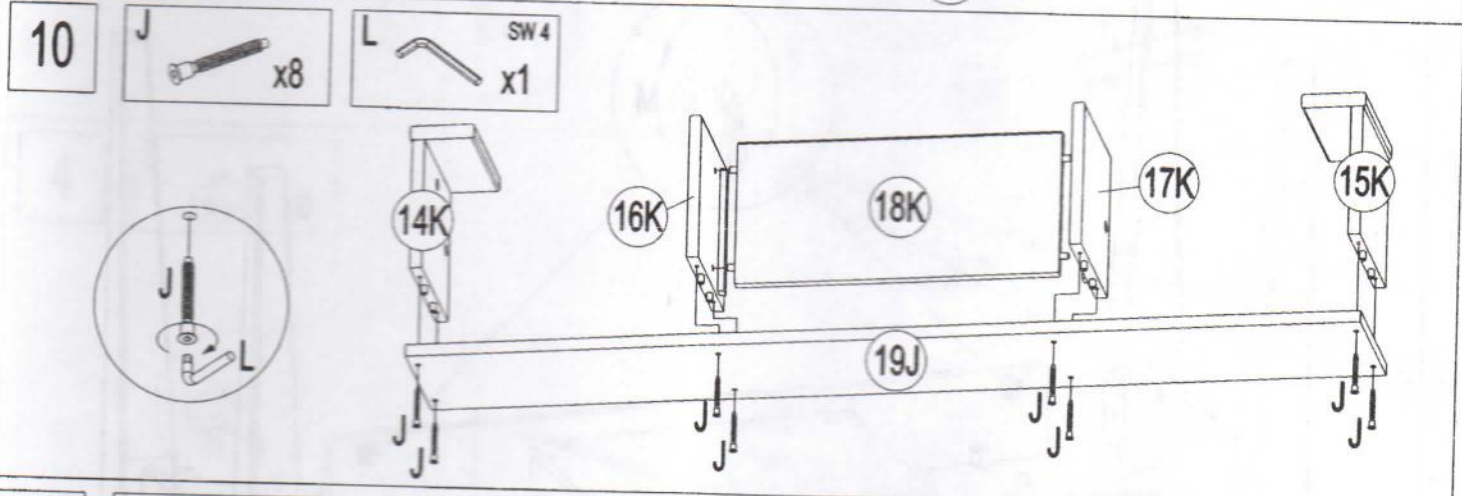
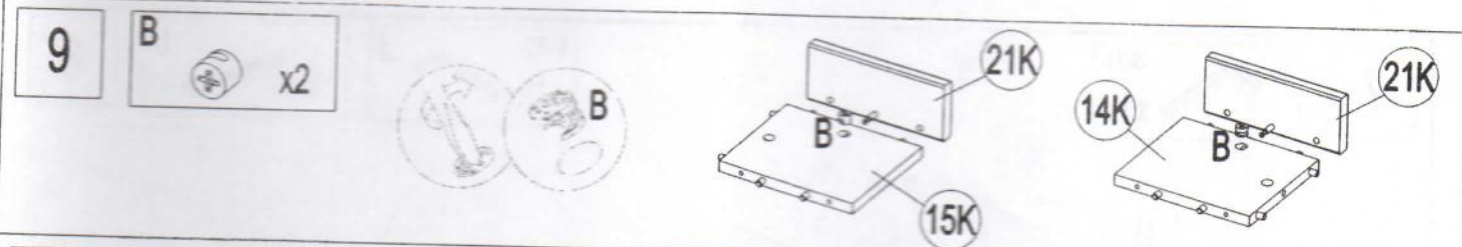


7



8






13


A  x6

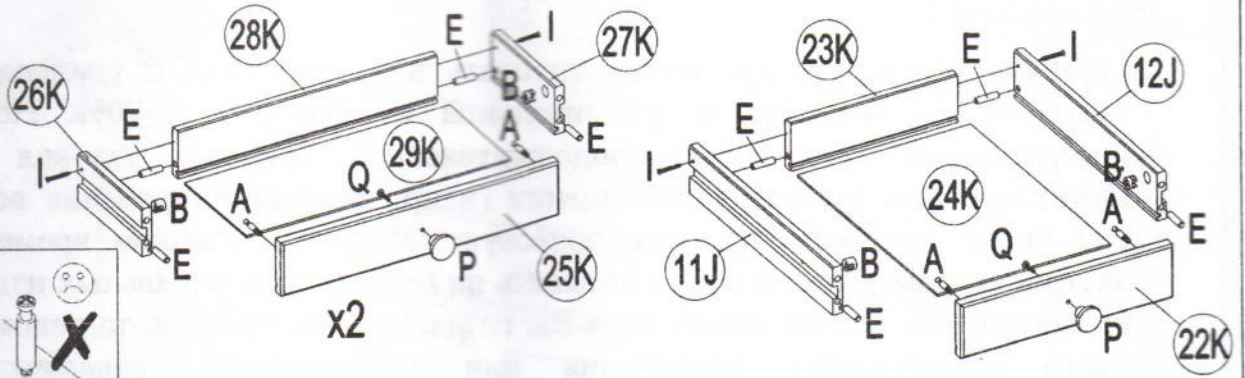
B  x6

E  8x32 x12

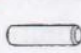
I  3.5x35 x6

P  x3

Q  M4x22 x3



14

E  8x32 x1

K  M4x10 x4

